

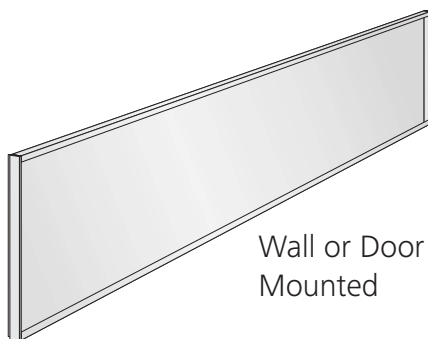
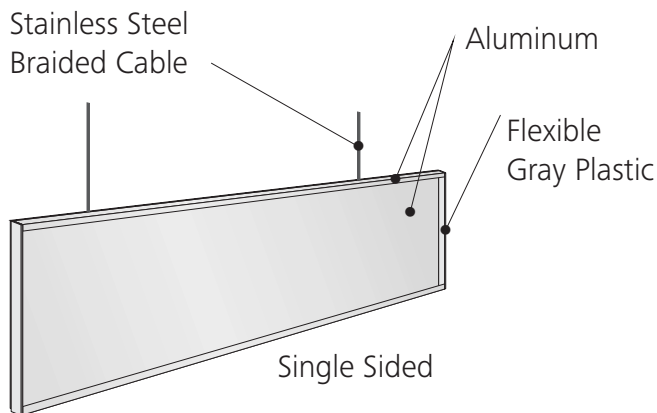
VERTEX SERIES

HOW TO OPERATE

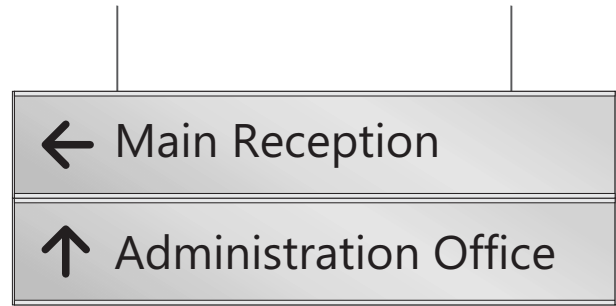
The Vertex Series is a simple ceiling suspended or wall mounted sign system. It is designed to be lighter and easier to update than other systems of its kind. Vertex Series can accept a range of insert panels, thus offering you more choice with your design and graphic options.

The aluminum frame is designed to accept a variety of sheet materials that can be changed over, if and when desired.

The flexible End Caps make it simple to slide the sheet material in and out of the frame if desired.



Wall or Door Mounted



Insert Panels Slide out to the left or right side.

FINISHES

- Frame - The Standard finish is clear anodized aluminum.
- End Caps - Gray (Flexible Plastic)
- Painting - Both the frame and the End Caps can be painted if required.

INSERT PANEL OPTIONS

- Aluminum Plate 1 - 3/32" thick (From Systech)
 - Clear Acrylic 1 - 2mm thick (From Systech)
 - Colored Acrylic 1 - 3/32" thick (By Others)
 - Alucobond 1 - 3/32" (By Others)
 - Stainless Steel 1 - 3/32 (By Others)
 - Or any other sheet material of above thickness.
- NOTE: If access to change insert panels is limited at either end of the suspended sign, we recommend that you choose pliable panel material.